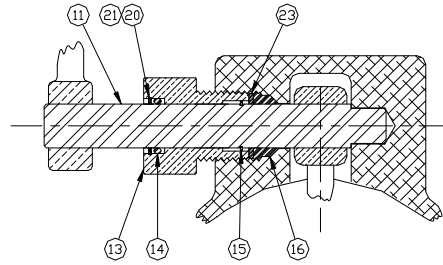
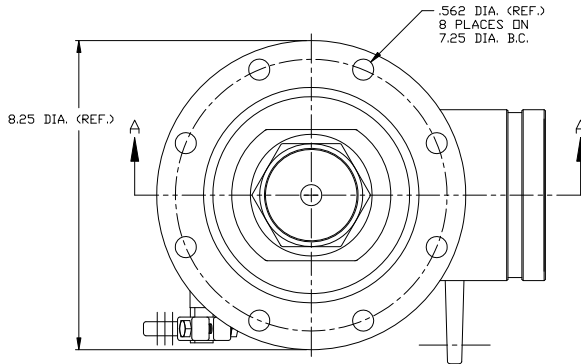




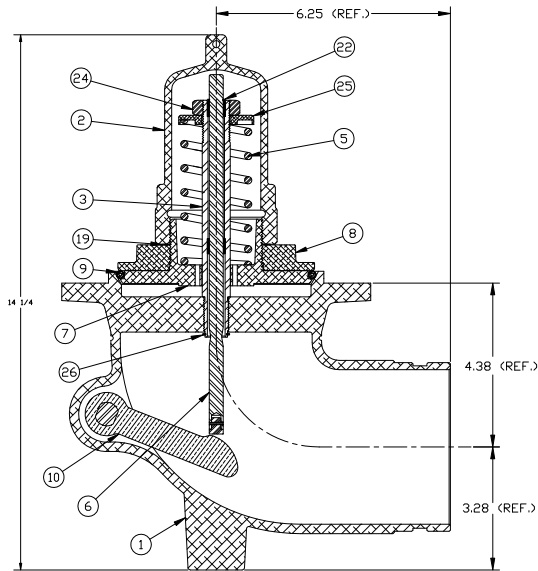
VA5112A 5" X 4" EMERGENCY VALVE

Flanged Valve Parts are the Same

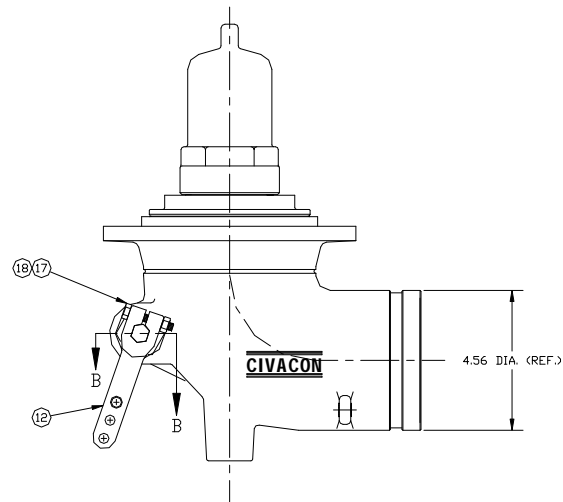
PARTS BREAK DOWN



SECTION B-B (FULL SCALE)



SECTION A-A (FULL SCALE)



ITEM	PART NUMBER	DESCRIPTION	QTY.
1	7106	VALVE BODY	1
2	6140	CAP	1
3	2899	STEM ASSEMBLY	1
4 & 5	6910	SPRING	1
6	6275	PUSH ROD ASSY.	1
7	6138	DISC	1
8	6139	DISC LOCK NUT	1
9	7342	O-RING (TEF-0- SIL)	1
10	7898	LIFT LEVER (BRASS)	1
11	7909	LEVER SHAFT	1
12	7939	HANDLE	1
13	5212	GLAND	

ITEM	PART NUMBER	DESCRIPTION	QTY.
14	7367	O-RING	1
15	2198	RETAINING RING	1
16	7117	PACKING (TEFLON)	2
17	5684	SCREW	1
18	5685	HEX NUT	1
19	6227	GASKET (TEFLON)	1
20	5214	BACKING RING (TEFLON)	1
21	5213	RETAINING RING (SS)	1
22	4094	RETAINING RING (3/8")	1
23	6024	WASHER	1
24	5687	JAM NUT	1
25	6228	WASHER	1
26	6099	RETAINING RING	1